

State of Wyoming Corner Record

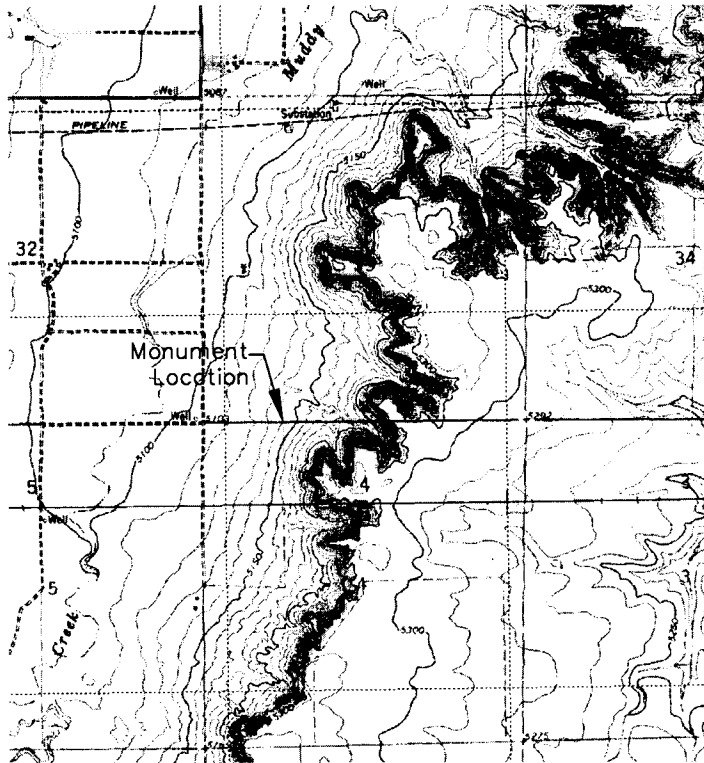
(In compliance with the **CORNER PERPETUATION AND FILING ACT**, Wyoming Statutes, 1997 Section 33-29-140 et. seq., and the Rules and Regulations of the Board of Professional Engineers and Professional Land Surveyors)

Reverse side of this form may be used if more space is needed.

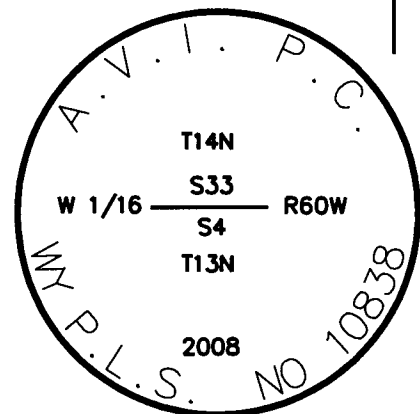
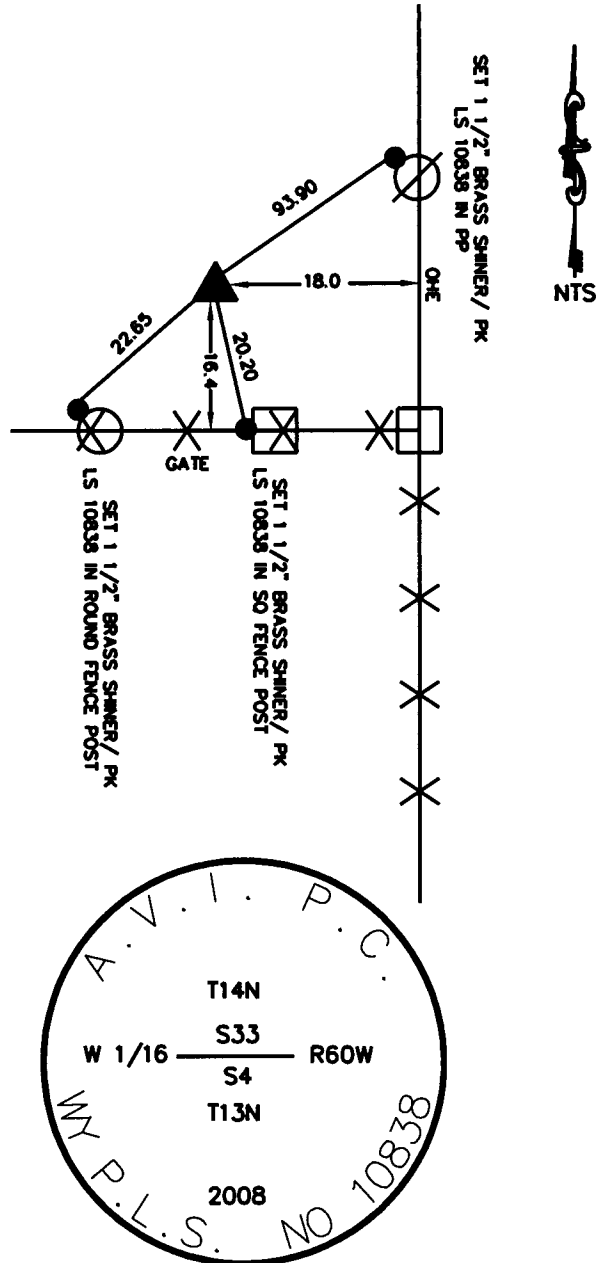
Record of original survey and citation of source of historical information (if corner is lost or obliterated). Description of corner monumentation evidence found and/or monument and accessories established to perpetuate the location of this corner. Sketch of relative location of monument, accessories, and reference points with course and distance to adjacent corner(s) (if determined in this survey). Method and rationale for reestablishment of lost or obliterated corner.

FOUND: NOTHING

SET: 3 1/4" ALUMINUM CAP
30" NO. 6 REBAR
N 89° 47' 25"W 1313.14' TO NW SEC. 4
S 00° 24' 35"W 2570.13' TO CW 1/6 SEC. 4



Monument location



Monument Inscription

Date of Field Work: 6/20/08

Office Reference: 2908

Cross Index Plat

	1	2	3	4	5	6	7	8	9	10	11	12	13	14	15	16	17	18	19	20	21	22	23	24	25
A																									
B																									
C		6	5	4	3	2	1																		
D																									
E																									
F																									
G			7	8	9	10	11	12																	
H																									
J																									
K																									
L			18	17	16	15	14	13																	
M																									
N																									
O																									
P			19	20	21	22	23	24																	
Q																									
R																									
S																									
T			30	29	28	27	26	25																	
U																									
V																									
W																									
X			31	32	33	34	35	36																	
Y																									
Z																									

Corner Name W 1/16

Section 33, T 14 N, R 60 W, 6th P.M. Cross-Index No.: Z-10

County: Laramie Wyoming

SBRPEPLS/PLSW: March 1994; PLSW January 1998

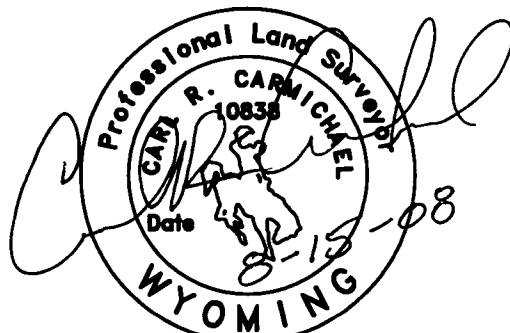
Firm/Agency, Address

AVI P.C.
2035 WESTLAND RD.
CHEYENNE, WY. 82001

This corner record was prepared by me or under my direction and supervision.

SEAL & SIGNATURE

Telephone Number: 307-637-6017



RECORDED 8/15/2008 AT 11:13 AM REC# 505911 K# 2071 PG# 1403
DEBRA K. LATHROP, CLERK OF LARAMIE COUNTY, WY PAGE 1 OF 1